

MANIFOLD SIZE (UP TO 15)	
PART CODE	DESCRIPTION
1	1-SECTION MANIFOLD
2	2-SECTION MANIFOLD
3	3-SECTION MANIFOLD
4	4-SECTION MANIFOLD
5	5-SECTION MANIFOLD

SAMPLE VALVE/MANIFOLD PART NUMBER:

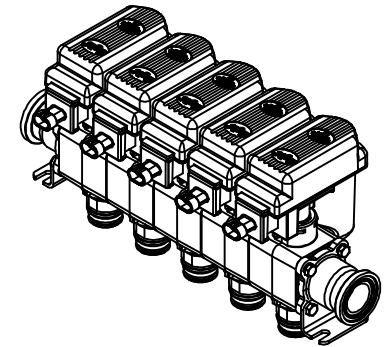
533EC-2F50-PN

MOTOR TYPE		
PART CODE	SWITCH	DESCRIPTION
EC	SPST	ELECTRIC SHUT-OFF VALVE
E	DPDT	ELECTRIC SHUT-OFF VALVE
M	MANUAL	MANUAL SHUT-OFF VALVE

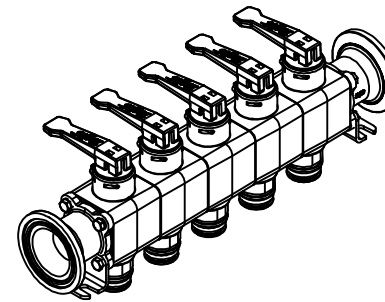
VALVE TYPE	
PART CODE	DESCRIPTION
2	2-WAY VALVE
3	3-WAY VALVE (ELECTRIC ONLY)

INLET FITTINGS	
PART CODE	DESCRIPTION
BLANK	LARGE QUICK CONNECT
F50	50-SERIES FLANGE
F75	75-SERIES FLANGE

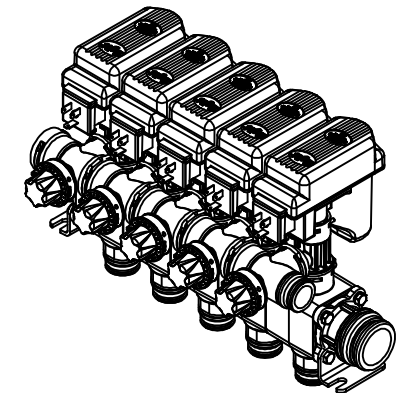
MOTOR WIRING (ELECTRIC ONLY)	
PART CODE	DESCRIPTION
D	POSITIVELY SWITCHED W/ DIN CONNECTOR
DN	NEGATIVELY SWITCHED W/ DIN CONNECTOR
P	POSITIVELY SWITCHED W/ METRIPACK CONNECTOR
PN	NEGATIVELY SWITCHED W/ METRIPACK CONNECTOR



535EC-2F50-P SHOWN ABOVE



535M-2F75 SHOWN ABOVE



535EC-3-D SHOWN ABOVE

REPLACEMENT VALVE P/N:

115531-EC-*: 2-WAY, EC
 115531-E-*: 2-WAY, E
 115550: 2-WAY, MANUAL
 115847-EC-*: 3-WAY, EC
 115847-E-*: 3-WAY, E

NOTE: FILL IN * WITH D FOR DIN OR P FOR METRI-PACK CONNECTOR.

DESCRIPTION:

ORDERING INFORMATION FOR
 530E(C) ELECTRIC SHUT-OFF
 AND 530M MANUAL SHUT-OFF
 PLUNGER VALVE MANIFOLDS



REVISION NO.	2	Data Sheet No.	
REFERENCE:	9/17/2018	DS530	
SHEET:	1 OF 1	DWG SIZE: A	