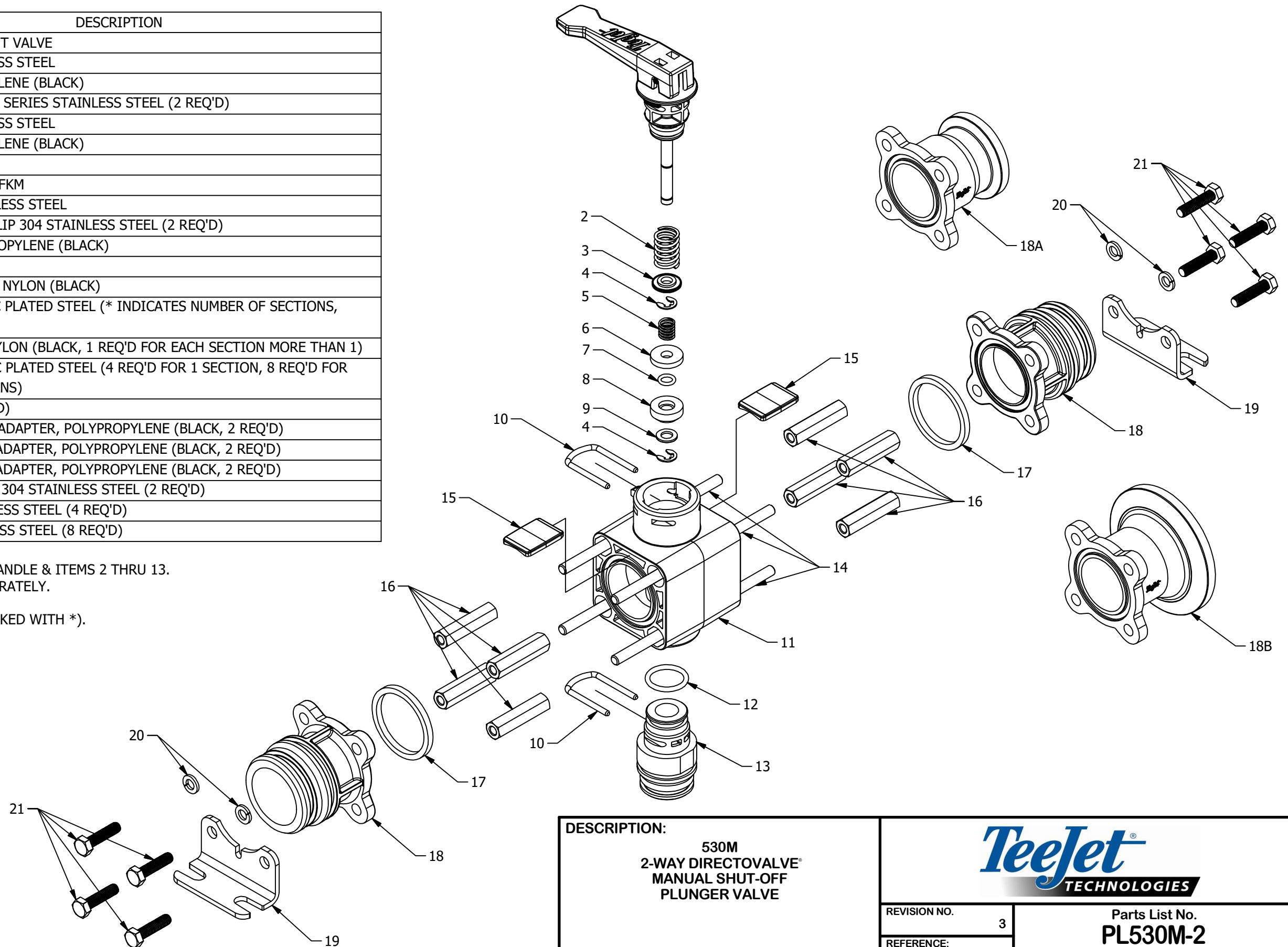


ITEM	PART NUMBER	DESCRIPTION
1	115560	MANUAL REPLACEMENT VALVE
2*	SEE REPAIR KIT	SPRING, 302 STAINLESS STEEL
3*	SEE REPAIR KIT	WASHER, POLYPROPYLENE (BLACK)
4*	SEE REPAIR KIT	RETAINING RING, 400 SERIES STAINLESS STEEL (2 REQ'D)
5*	SEE REPAIR KIT	SPRING, 316 STAINLESS STEEL
6*	SEE REPAIR KIT	WASHER, POLYPROPYLENE (BLACK)
7*	SEE REPAIR KIT	O-RING, FKM
8*	SEE REPAIR KIT	STEM SEAT WASHER, FKM
9*	SEE REPAIR KIT	WASHER, 18-8 STAINLESS STEEL
10	CP58457-304SS	MOTOR RETAINING CLIP 304 STAINLESS STEEL (2 REQ'D)
11	CP115540-PP	VALVE BODY, POLYPROPYLENE (BLACK)
12	CP7717-2/116-VI	O-RING, FKM
13	CP115541-NYB	VALVE BODY OUTLET, NYLON (BLACK)
14	CP115549-* -IZP	THREADED ROD, ZINC PLATED STEEL (* INDICATES NUMBER OF SECTIONS, 2-15, 4 REQ'D)
15	CP115547-NYB	ALIGNMENT PIECE, NYLON (BLACK, 1 REQ'D FOR EACH SECTION MORE THAN 1)
16	CP115549-IZP	HEX STAND-OFF, ZINC PLATED STEEL (4 REQ'D FOR 1 SECTION, 8 REQ'D FOR MORE THAN 1 SECTIONS)
17	CP115562-VI	GASKET, FKM (2 REQ'D)
18	CP98497-PP	LQC BOLTED FLANGE ADAPTER, POLYPROPYLENE (BLACK, 2 REQ'D)
18A	CP98491-PP	F50 BOLTED FLANGE ADAPTER, POLYPROPYLENE (BLACK, 2 REQ'D)
18B	CP98490-PP	F75 BOLTED FLANGE ADAPTER, POLYPROPYLENE (BLACK, 2 REQ'D)
19	CP98498-SS	MOUNTING BRACKET, 304 STAINLESS STEEL (2 REQ'D)
20	CP45520-SS	WASHER, 302 STAINLESS STEEL (4 REQ'D)
21	CP37553-25-SS	SCREW, 18-8 STAINLESS STEEL (8 REQ'D)

NOTE: REPLACEMENT VALVE (ITEM 1) INCLUDES HANDLE & ITEMS 2 THRU 13.
HANDLE UNAVAILABLE FOR PURCHASE SEPARATELY.

AB530M-2-KIT - REPAIR KIT (INCLUDES ITEMS MARKED WITH *).



DESCRIPTION:

530M
2-WAY DIRECTOVALVE®
MANUAL SHUT-OFF
PLUNGER VALVE



REVISION NO.	3	Parts List No.	PL530M-2
REFERENCE:	9/14/2018	SHEET:	1 OF 1
		DWG SIZE:	B