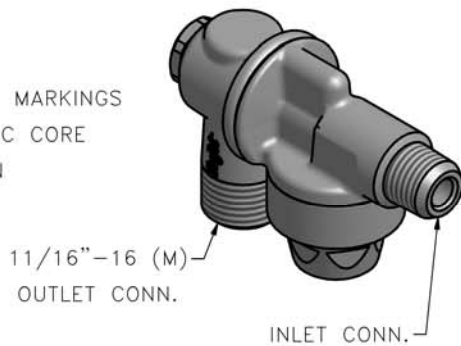
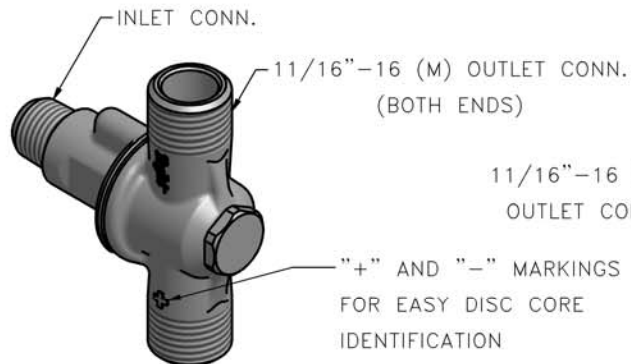


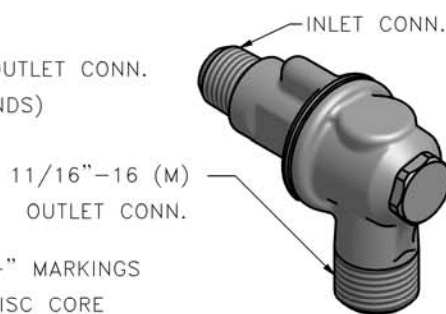
PART NO.	INLET CONNECTION
(B)98450–1/4F	1/4" (F)
(B)98450–1/4M	1/4" (M)
(B)98450–3/8M	3/8" (M)



PART NO.	INLET CONNECTION
(B)98451–1/4F	1/4" (F)
(B)98451–1/4M	1/4" (M)
(B)98451–3/8M	3/8" (M)

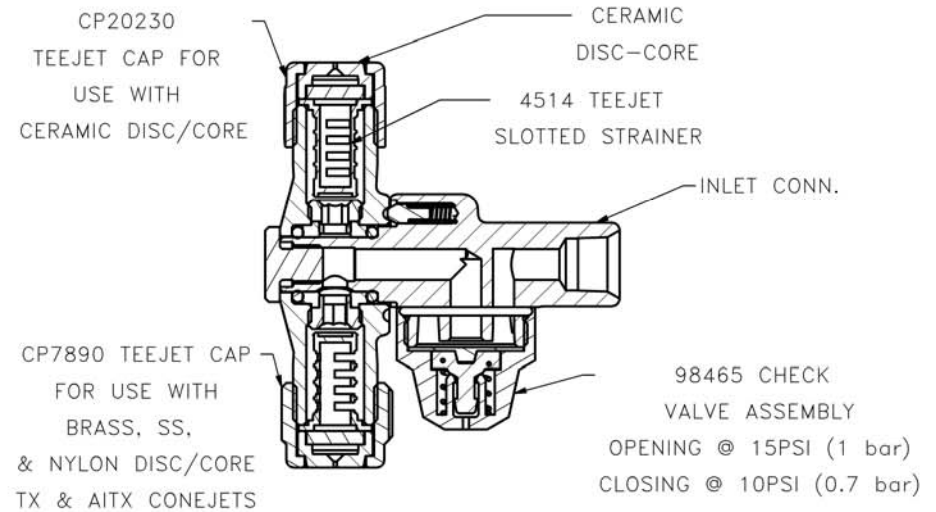


PART NO.	INLET CONNECTION
(B)98452–1/4F	1/4" (F)
(B)98452–1/4M	1/4" (M)
(B)98452–3/8M	3/8" (M)



PART NO.	INLET CONNECTION
(B)98453–1/4F	1/4" (F)
(B)98453–1/4M	1/4" (M)
(B)98453–3/8M	3/8" (M)

TYPICAL SET UP
NO. 98450 CROSS SECTION VIEW SHOWN BELOW



NOTE: SEE PL98450 FOR COMPLETE PARTS BREAKDOWN
MATERIAL: BRASS WITH VITON SEALS

FEATURES

- * MAXIMUM RECOMMENDED PRESSURE – 750 PSI (52 BAR)
- * COMPACT ROLLOVER, POSITIVE INDEXING FROM "SHUT-OFF" TO "OPEN" POSITION.
- * TWO SHUT OFF POSITIONS AT 90° TO OPEN POSITION
- * TWO ADDITIONAL "OPEN" POSITIONS AT ±15° FROM VERTICAL
- * CAN BE USED WITH ALL STANDARD TEEJET SPRAY TIPS AND STRAINERS
- * 1.6GPM (6.1 L/min) WITH 10PSI (.34 bar) PRESSURE DROP

DESCRIPTION:
98450 DOUBLE ROLLOVER VALVE WITH CHECK VALVE
98451 SINGLE ROLLOVER VALVE WITH CHECK VALVE
98452 DOUBLE ROLLOVER VALVE
98453 SINGLE ROLLOVER VALVE



Spraying Systems Co.
Spray Nozzles and Accessories
P.O. Box 7900 - Wheaton, IL 60187-7901

REVISION NO.	DATA SHEET	
REFERENCE:	DS98450	
5/12/2010	SHEET: 1 OF 1	DWG SIZE: B