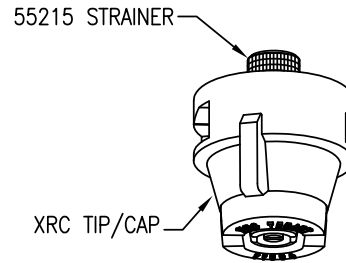
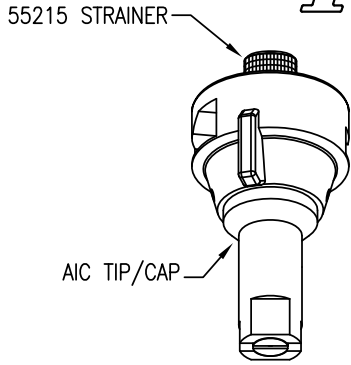


TeeJet®

AIC & XRC TIP/CAPS WITH
RETAINED STRAINER



AIC 110015VS-100-EPR

TIP/CAP SERIES	
PART CODE	DESCRIPTION
AIC	AIR INDUCTION
XRC	EXTENDED RANGE

SPRAY ANGLE	
PART CODE	DESCRIPTION
80	80° SPRAY ANGLE
110	110° SPRAY ANGLE

NOTE: AIC OFFERED IN 110° ONLY.

TIP CAPACITY
SPECIFY: 015, 02, 025, 03, 04, 05, 06, 08 OR 10.

NOTE: NOT ALL CAPACITIES AVAILABLE IN EVERY MATERIAL, ANGLE, AND/OR TIP SERIES.

GASKET MATERIAL	
PART CODE	DESCRIPTION
EPR	EPDM RUBBER
VI	VITON®

SCREEN MESH SIZE	
PART CODE	DESCRIPTION
50	50-MESH
100	100-MESH

NOTE: CAPACITIES 015 AND SMALLER USE 100-MESH, CAPACITIES 02 AND LARGER USE 50-MESH.

ORIFICE MATERIAL	
PART CODE	DESCRIPTION
VK	VISIFLO® CERAMIC
VP	VISIFLO® POLYMER
VS	VISIFLO® STAINLESS STEEL

NOTE: NOT ALL CAPACITIES AND/OR ANGLES AVAILABLE IN EVERY MATERIAL.

FEATURES:

- TIP, CAP, STRAINER AND GASKET COMBINED INTO A SINGLE UNIT FOR EASY INSTALLATION AND HANDLING.
- SELF-RETAINED DESIGN KEEPS STRAINER ATTACHED TO TIP AND CAP WHEN REMOVED FROM THE NOZZLE BODY.

NOTE: FOR ADDITIONAL INFORMATION AND APPLICATION RATES SEE DATA SHEETS 49720 & 49720M FOR AIC AND 49725 & 49725M FOR XRC TIP/CAPS. FOR ADDITIONAL INFORMATION ON RETAINED TIP STRAINER SEE DATA SHEET 55215. VITON® IS A TRADEMARK OF DUPONT PERFORMANCE ELASTOMERS

DESCRIPTION:

**ORDERING INFORMATION FOR
AIC AND XRC TIP/CAPS
WITH RETAINED TIP STRAINER**



Spraying Systems Co.®

Spray Nozzles and Accessories
P.O. Box 7900 - Wheaton, Il. 60189-7900

Rev. No.

Ref.

DATA SHEET

55215-1

SHEET OF