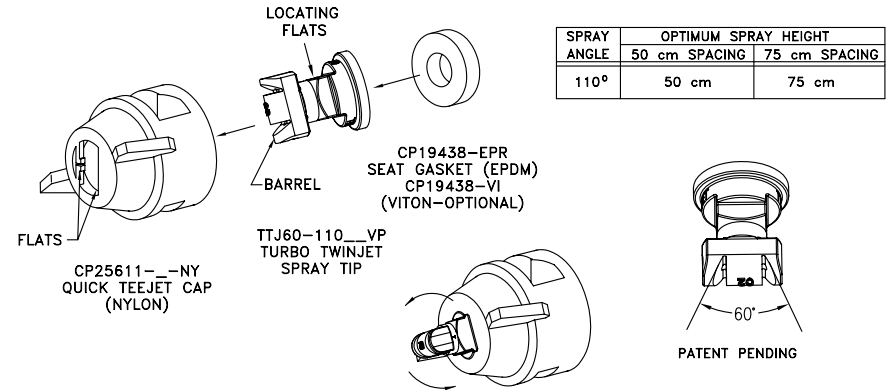


*Turbo TwinJet* POLYMER FLAT SPRAY TIP WITH **VisiFlo** COLOR CODING

Tip Color VisiFlo	Tip No. (Strainer Screen Size)	Liquid Pressure (bar)	Drop Size Classi- fication	Capacity 1 Nozzle (l/min)	Liters Per Hectare 50 cm Spacing				Liters Per Hectare 75 cm Spacing			
					8	10	12	16	8	10	12	16
					km/hr	km/hr	km/hr	km/hr	km/hr	km/hr	km/hr	km/hr
YELLOW	TTJ60-11002VP (100 Mesh)	1.5	C	0.56	84.0	67.2	56.0	42.0	56.0	44.8	37.3	28.0
		2.0	C	0.65	97.5	78.0	65.0	48.8	65.0	52.0	43.3	32.5
		3.0	C	0.79	119	94.8	79.0	59.3	79.0	63.2	52.7	39.5
		4.0	M	0.91	137	109	91.0	68.3	91.0	72.8	60.7	45.5
		5.0	M	1.02	153	122	102	76.5	102	81.6	68.0	51.0
		6.0	M	1.12	168	134	112	84.0	112	89.6	74.7	56.0
VIOLET	TTJ60-110025VP (100 Mesh)	1.5	VC	0.70	105	84.0	70.0	52.5	70.0	56.0	46.7	35.0
		2.0	C	0.81	122	97.2	81.0	60.8	81.0	64.8	54.0	40.5
		3.0	C	0.99	149	119	99.0	74.3	99.0	79.2	66.0	49.5
		4.0	C	1.14	171	137	114	85.5	114	91.2	76.0	57.0
		5.0	M	1.28	192	154	128	96.0	128	102	85.3	64.0
		6.0	M	1.40	210	168	140	105	140	112	93.3	70.0
BLUE	TTJ60-11003VP (100 Mesh)	1.5	VC	0.83	125	99.6	83.0	62.3	83.0	66.4	55.3	41.5
		2.0	C	0.96	144	115	96.0	72.0	96.0	76.8	64.0	48.0
		3.0	C	1.18	177	142	118	88.5	118	94.4	78.7	59.0
		4.0	C	1.36	204	163	136	102	136	109	90.7	68.0
		5.0	C	1.52	228	182	152	114	152	122	101	76.0
		6.0	M	1.67	251	200	167	125	167	134	111	83.5
RED	TTJ60-11004VP (50 Mesh)	1.5	VC	1.12	168	134	112	84.0	112	89.6	74.7	56.0
		2.0	C	1.29	194	155	129	96.8	129	103	86.0	64.5
		3.0	C	1.58	237	190	158	119	158	126	105	79.0
		4.0	C	1.82	273	218	182	137	182	146	121	91.0
		5.0	C	2.04	306	245	204	153	204	163	136	102
		6.0	M	2.23	335	268	223	167	223	178	149	112
BROWN	TTJ60-11005VP (50 Mesh)	1.5	VC	1.39	209	167	139	104	139	111	92.7	69.5
		2.0	C	1.61	242	193	161	121	161	129	107	80.5
		3.0	C	1.97	296	236	197	148	197	158	131	98.5
		4.0	C	2.27	341	272	227	170	227	182	151	114
		5.0	C	2.54	381	305	254	191	254	203	169	127
		6.0	C	2.79	419	335	279	209	279	223	186	140
GRAY	TTJ60-11006VP (50 Mesh)	1.5	XC	1.68	252	202	168	126	168	134	112	84.0
		2.0	VC	1.94	291	233	194	146	194	155	129	97.0
		3.0	C	2.37	356	284	237	178	237	190	158	119
		4.0	C	2.74	411	329	274	206	274	219	183	137
		5.0	C	3.06	459	367	306	230	306	245	204	153
		6.0	C	3.35	503	402	335	251	335	268	223	168

TABULATION BASED ON SPRAYING WATER AT 21° C.




**FEATURES:**

- TIP PRODUCES DUAL, TAPERED EDGE, WIDE ANGLE, FLAT SPRAY PATTERN FOR UNIFORM COVERAGE IN BROADCAST SPRAYING.
- DUAL ANGLED SPRAY PATTERNS HELP TO PENETRATE THE CROP CANOPY AND PROVIDE THOROUGH LEAF COVERAGE.
- LARGE, FREE PASSAGES TO MINIMIZE CLOGGING.
- ALL ACETAL CONSTRUCTION FOR EXCELLENT CHEMICAL AND WEAR RESISTANCE.
- LARGER DROPLET SIZE FOR IMPROVED DRIFT CONTROL.
- AUTOMATIC SPRAY ALIGNMENT WITH 25612-\_\_NYR QUICK TEEJET CAP & GASKET.
- TO INSTALL - ALIGN TIP BARREL WITH CAP FLATS AND PRESS IN UNTIL TIP BOTTOMS OUT. ROTATE TIP 90° UNTIL TIP FLATS ARE PARALLEL WITH CAP FLATS. PRESS TIP UNTIL IT BOTTOMS OUT AGAIN.
- SUGGESTED SPRAY PRESSURE RANGE: 1.5-6.0 BAR.

**TYPICAL APPLICATIONS:**

- BEST FOR PRE-EMERGE SURFACE APPLIED HERBICIDES - MINIMUM SPRAY PRESSURE OF 1.5 BAR.
- BEST FOR POST-EMERGE CONTACT HERBICIDES - TYPICAL PRESSURES OF 3 BAR AND HIGHER.
- EXCELLENT FOR FUNGICIDE APPLICATION.

DESCRIPTION: LITERS PER HECTARE TABULATION FOR TTJ60-110__VP TURBO TWINJET® DUAL ORIFICE FLAT SPRAY TIP (METRIC)		 <b>Spraying Systems Co.®</b> Spray Nozzles and Accessories P.O. Box 7900 - Wheaton, IL 60189-7900
Rev. No. 1	DATA SHEET <b>55220M</b>	
Ref.	SHEET OF	