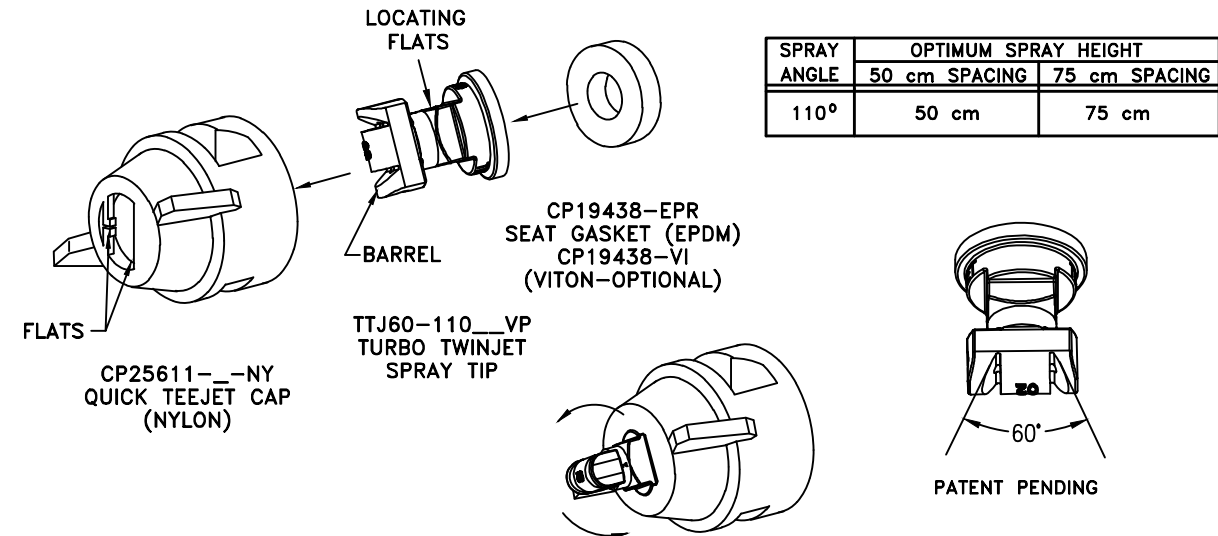


*Turbo TwinJet* POLYMER FLAT SPRAY TIP  
WITH **VisiFlo** COLOR CODING

Tip Color VisiFlo	Tip No. (Strainer Screen Size)	Liquid Pressure (bar)	Drop Size Classi- fication	Capacity 1 Nozzle (l/min)	Liters Per Hectare 50 cm Spacing				Liters Per Hectare 75 cm Spacing			
					8 km/hr	10 km/hr	12 km/hr	16 km/hr	8 km/hr	10 km/hr	12 km/hr	16 km/hr
YELLOW	TTJ60-11002VP (100 Mesh)	1.5	C	0.56	84.0	67.2	56.0	42.0	56.0	44.8	37.3	28.0
		2.0	C	0.65	97.5	78.0	65.0	48.8	65.0	52.0	43.3	32.5
		3.0	M	0.79	119	94.8	79.0	59.3	79.0	63.2	52.7	39.5
		4.0	M	0.91	137	109	91.0	68.3	91.0	72.8	60.7	45.5
		5.0	M	1.02	153	122	102	76.5	102	81.6	68.0	51.0
VIOLET	TTJ60-110025VP (100 Mesh)	1.5	VC	0.70	105	84.0	70.0	52.5	70.0	56.0	46.7	35.0
		2.0	C	0.81	122	97.2	81.0	60.8	81.0	64.8	54.0	40.5
		3.0	C	0.99	149	119	99.0	74.3	99.0	79.2	66.0	49.5
		4.0	M	1.14	171	137	114	85.5	114	91.2	76.0	57.0
		5.0	M	1.28	192	154	128	96.0	128	102	85.3	64.0
BLUE	TTJ60-11003VP (100 Mesh)	1.5	VC	0.83	125	99.6	83.0	62.3	83.0	66.4	55.3	41.5
		2.0	C	0.96	144	115	96.0	72.0	96.0	76.8	64.0	48.0
		3.0	C	1.18	177	142	118	88.5	118	94.4	78.7	59.0
		4.0	M	1.36	204	163	136	102	136	109	90.7	68.0
		5.0	M	1.52	228	182	152	114	152	122	101	76.0
RED	TTJ60-11004VP (50 Mesh)	1.5	VC	1.12	168	134	112	84.0	112	89.6	74.7	56.0
		2.0	C	1.29	194	155	129	96.8	129	103	86.0	64.5
		3.0	C	1.58	237	190	158	119	158	126	105	79.0
		4.0	M	1.82	273	218	182	137	182	146	121	91.0
		5.0	M	2.04	306	245	204	153	204	163	136	102
BROWN	TTJ60-11005VP (50 Mesh)	1.5	VC	1.39	209	167	139	104	139	111	92.7	69.5
		2.0	C	1.61	242	193	161	121	161	129	107	80.5
		3.0	C	1.97	296	236	197	148	197	158	131	98.5
		4.0	M	2.27	341	272	227	170	227	182	151	114
		5.0	M	2.54	381	305	254	191	254	203	169	127
GRAY	TTJ60-11006VP (50 Mesh)	1.5	VC	1.68	252	202	168	126	168	134	112	84.0
		2.0	VC	1.94	291	233	194	146	194	155	129	97.0
		3.0	C	2.37	356	284	237	178	237	190	158	119
		4.0	C	2.74	411	329	274	206	274	219	183	137
		5.0	M	3.06	459	367	306	230	306	245	204	153
WHITE	TTJ60-11008VP (50 Mesh)	1.5	VC	2.23	335	268	223	167	223	178	149	112
		2.0	VC	2.58	387	310	258	194	258	206	172	129
		3.0	C	3.16	474	379	316	237	316	253	211	158
		4.0	C	3.65	548	438	365	274	365	292	243	183
		5.0	C	4.08	612	490	408	306	408	326	272	204
LIGHT BLUE	TTJ60-11010VP (50 Mesh)	1.5	XC	2.79	419	335	279	209	279	223	186	140
		2.0	VC	3.23	485	388	323	242	323	258	215	162
		3.0	VC	3.95	593	474	395	296	395	316	263	198
		4.0	C	4.56	684	547	456	342	456	365	304	228
		5.0	C	5.10	765	612	510	383	510	408	340	255
6.0	C	5.59	839	671	559	419	559	447	373	280		

TABULATION BASED ON SPRAYING WATER AT 21° C.



**FEATURES:**

- TIP PRODUCES DUAL, TAPERED EDGE, WIDE ANGLE, FLAT SPRAY PATTERN FOR UNIFORM COVERAGE IN BROADCAST SPRAYING.
- DUAL ANGLED SPRAY PATTERNS HELP TO PENETRATE THE CROP CANOPY AND PROVIDE THOROUGH LEAF COVERAGE.
- LARGE, FREE PASSAGES TO MINIMIZE CLOGGING.
- ALL ACETAL CONSTRUCTION FOR EXCELLENT CHEMICAL AND WEAR RESISTANCE.
- LARGER DROPLET SIZE FOR IMPROVED DRIFT CONTROL.
- AUTOMATIC SPRAY ALIGNMENT WITH 25612--NYR QUICK TEEJET CAP & GASKET.
- TO INSTALL - ALIGN TIP BARREL WITH CAP FLATS AND PRESS IN UNTIL TIP BOTTOMS OUT. ROTATE TIP 90° UNTIL TIP FLATS ARE PARALLEL WITH CAP FLATS. PRESS TIP UNTIL IT BOTTOMS OUT AGAIN.
- SUGGESTED SPRAY PRESSURE RANGE: 1.5-6.0 BAR.

**TYPICAL APPLICATIONS:**

- BEST FOR PRE-EMERGE SURFACE APPLIED HERBICIDES - MINIMUM SPRAY PRESSURE OF 1.5 BAR.
- BEST FOR POST-EMERGE CONTACT HERBICIDES - TYPICAL PRESSURES OF 3 BAR AND HIGHER.
- EXCELLENT FOR FUNGICIDE APPLICATION.

DESCRIPTION:  
LITERS PER HECTARE TABULATION  
FOR TTJ60-110\_\_VP TURBO TWINJET®  
DUAL ORIFICE FLAT SPRAY TIP



**Spraying Systems Co.®**

Spray Nozzles and Accessories  
P.O. Box 7900 - Wheaton, IL 60187-7901

Rev. No. 2

Ref. 3/12/2015

DATA SHEET

**55220M**

SHEET OF