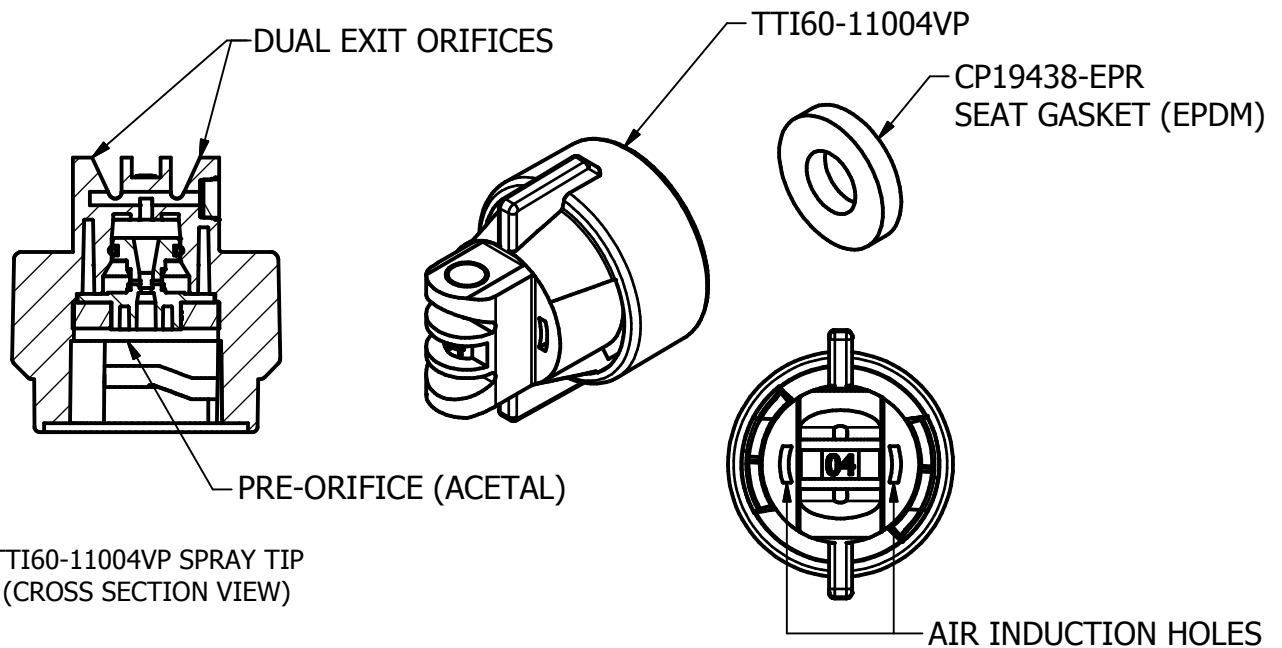


TTI60

TTI TWINJET®

FEATURES:

- TAPERED EDGE WIDE ANGLE TWIN FLAT SPRAY PATTERN FOR UNIFORM COVERAGE IN BROADCAST SPRAYING.
- PRE-ORIFICE FEATURES LARGE, ROUND, FREE PASSAGE TO MINIMIZE CLOGGING.
- LARGER DROPLETS ARE PRODUCED THROUGH THE USE OF A VENTURI AIR ASPIRATOR, RESULTING IN LESS DRIFT.
- SYMMETRICAL DUAL FAN PATTERN RESULTS IN BETTER PENETRATION AND COVERAGE.
- ONE-PIECE MOLDED BODY FOR EASE OF USE.
- RECOMMENDED PRESSURE RANGE: 1.5-7.0 BAR.
- ALL ACETAL CONSTRUCTION FOR EXCELLENT CHEMICAL RESISTANCE TO CORROSIVE SOLUTIONS.
- SUPERIOR WEAR CHARACTERISTICS.



TTI60-11004VP SPRAY TIP
(CROSS SECTION VIEW)

DROPLET SIZE CATEGORIES			
C	VC	XC	UC
COARSE	VERY COARSE	EXTREMELY COARSE	ULTRA COARSE

OPTIMUM SPRAY HEIGHT	
50 cm SPACING	75 cm SPACING
50 cm	75 cm

DROPLET SIZE CLASSIFICATIONS ARE BASED ON BCPC SPECIFICATIONS AND IN ACCORDANCE WITH ASABE STANDARD S-572.1 ON THE DATE OF PRINTING. CLASSIFICATIONS ARE SUBJECT TO CHANGE.

DESCRIPTION:

LITERS PER HECTARE
TABULATION FOR
TTI60-110_VP
TTI TWINJET®
FLAT SPRAY TIP (METRIC)



REVISION NO.	1	Data Sheet No.	
REFERENCE:	1/27/17	DS114460M	
SHEET:	1 OF 2	DWG SIZE:	A

TIP COLOR VISIFLO	TIP No. STRAINER MESH SIZE	LIQUID PRESSURE (bar)	DROPLET SIZE	CAPACITY ONE NOZZLE (l/min)	LITERS PER HECTARE 50 cm NOZZLE SPACING													
					4 km/h	5 km/h	6 km/h	7 km/h	8 km/h	10 km/h	12 km/h	14 km/h	16 km/h	18 km/h	20 km/h	25 km/h	30 km/h	35 km/h
YELLOW	11002-VP (50 MESH)	1.5	UC	0.56	168	134	112	96.0	84.0	67.2	56.0	48.0	42.0	37.3	33.6	26.9	22.4	19.2
		2.0	UC	0.65	195	156	130	111	97.5	78.0	65.0	55.7	48.8	43.3	39.0	31.2	26.0	22.3
		2.5	XC	0.72	216	173	144	123	108	86.4	72.0	61.7	54.0	48.0	43.2	34.6	28.8	24.7
		3.0	XC	0.79	237	190	158	135	119	94.8	79.0	67.7	59.3	52.7	47.4	37.9	31.6	27.1
		4.0	VC	0.91	273	218	182	156	137	109	91.0	78.0	68.3	60.7	54.6	43.7	36.4	31.2
		5.0	VC	1.02	306	245	204	175	153	122	102	87.4	76.5	68.0	61.2	49.0	40.8	35.0
		6.0	VC	1.12	336	269	224	192	168	134	112	96.0	84.0	74.7	67.2	53.8	44.8	38.4
		7.0	C	1.21	363	290	242	207	182	145	121	104	90.8	80.7	72.6	58.1	48.4	41.5
VIOLET	110025-VP (50 MESH)	1.5	UC	0.70	210	168	140	120	105	84.0	70.0	60.0	52.5	46.7	42.0	33.6	28.0	24.0
		2.0	UC	0.81	243	194	162	139	122	97.2	81.0	69.4	60.8	54.0	48.6	38.9	32.4	27.8
		2.5	XC	0.90	270	216	180	154	135	108	90.0	77.1	67.5	60.0	54.0	43.2	36.0	30.9
		3.0	XC	0.99	297	238	198	170	149	119	99.0	84.9	74.3	66.0	59.4	47.5	39.6	33.9
		4.0	VC	1.14	342	274	228	195	171	137	114	97.7	85.5	76.0	68.4	54.7	45.6	39.1
		5.0	VC	1.28	384	307	256	219	192	154	128	110	96.0	85.3	76.8	61.4	51.2	43.9
		6.0	VC	1.40	420	336	280	240	210	168	140	120	105	93.3	84.0	67.2	56.0	48.0
		7.0	C	1.51	453	362	302	259	227	181	151	129	113	101	90.6	72.5	60.4	51.8
BLUE	11003-VP (50 MESH)	1.5	UC	0.83	249	199	166	142	125	99.6	83.0	71.1	62.3	55.3	49.8	39.8	33.2	28.5
		2.0	UC	0.96	288	230	192	165	144	115	96.0	82.3	72.0	64.0	57.6	46.1	38.4	32.9
		2.5	UC	1.08	324	259	216	185	162	130	108	92.6	81.0	72.0	64.8	51.8	43.2	37.0
		3.0	UC	1.18	354	283	236	202	177	142	118	101	88.5	78.7	70.8	56.6	47.2	40.5
		4.0	XC	1.36	408	326	272	233	204	163	136	117	102	90.7	81.6	65.3	54.4	46.6
		5.0	XC	1.52	456	365	304	261	228	182	152	130	114	101	91.2	73.0	60.8	52.1
		6.0	VC	1.67	501	401	334	286	251	200	167	143	125	111	100	80.2	66.8	57.3
		7.0	VC	1.80	540	432	360	309	270	216	180	154	135	120	108	86.4	72.0	61.7
RED	11004-VP (50 MESH)	1.5	UC	1.12	336	269	224	192	168	134	112	96.0	84.0	74.7	67.2	53.8	44.8	38.4
		2.0	UC	1.29	387	310	258	221	194	155	129	111	96.8	86.0	77.4	61.9	51.6	44.2
		2.5	UC	1.44	432	346	288	247	216	173	144	123	108	96.0	86.4	69.1	57.6	49.4
		3.0	UC	1.58	474	379	316	271	237	190	158	135	119	105	94.8	75.8	63.2	54.2
		4.0	XC	1.82	546	437	364	312	273	218	182	156	137	121	109	87.4	72.8	62.4
		5.0	XC	2.04	612	490	408	350	306	245	204	175	153	136	122	97.9	81.6	69.9
		6.0	VC	2.23	669	535	446	382	335	268	223	191	167	149	134	107	89.2	76.5
		7.0	VC	2.41	723	578	482	413	362	289	241	207	181	161	145	116	96.4	82.6
BROWN	11005-VP (50 MESH)	1.5	UC	1.39	417	334	278	238	209	167	139	119	104	92.7	83.4	66.7	55.6	47.7
		2.0	UC	1.61	483	386	322	276	242	193	161	138	121	107	96.6	77.3	64.4	55.2
		2.5	UC	1.80	540	432	360	309	270	216	180	154	135	120	108	86.4	72.0	61.7
		3.0	UC	1.97	591	473	394	338	296	236	197	169	148	131	118	94.6	78.8	67.5
		4.0	XC	2.27	681	545	454	389	341	272	227	195	170	151	136	109	90.8	77.8
		5.0	XC	2.54	762	610	508	435	381	305	254	218	191	169	152	122	102	87.1
		6.0	VC	2.79	837	670	558	478	419	335	279	239	209	186	167	134	112	95.7
		7.0	VC	3.01	903	722	602	516	452	361	301	258	226	201	181	144	120	103
GRAY	11006-VP (50 MESH)	1.5	UC	1.68	504	403	336	288	252	202	168	144	126	112	101	80.6	67.2	57.6
		2.0	UC	1.94	582	466	388	333	291	233	194	166	146	129	116	93.1	77.6	66.5
		2.5	UC	2.16	648	518	432	370	324	259	216	185	162	144	130	104	86.4	74.1
		3.0	UC	2.37	711	569	474	406	356	284	237	203	178	158	142	114	94.8	81.3
		4.0	XC	2.74	822	658	548	470	411	329	274	235	206	183	164	132	110	93.9
		5.0	XC	3.06	918	734	612	525	459	367	306	262	230	204	184	147	122	105
		6.0	XC	3.35	1005	804	670	574	503	402	335	287	251	223	201	161	134	115
		7.0	VC	3.62	1086	869	724	621	543	434	362	310	272	241	217	174	145	124
WHITE	11008-VP	1.5	UC	2.23	669	535	446	382	335	268	223	191	167	149	134	107	89.2	76.5
		2.0	UC	2.58	774	619	516	442	387	310	258	221	194	172	155	124	103	88.5
		2.5	UC	2.88	864	691	576	494	432	346	288	247	216	192	173	138	115	98.7
		3.0	UC	3.16	948	758	632	542	474	379	316	271	237	211	190	152	126	108
		4.0	UC	3.65	1095	876	730	626	548	438	365	313	274	243	219	175	146	125
		5.0	UC	4.08	1224	979	816	699	612	490	408	350	306	272	245	196	163	140
		6.0	XC	4.47	1341	1073	894	766	671	536	447	383	335	298	268	215	179	153
		7.0	XC	4.83	1449	1159	966	828	725	580	483	414	362	322	290	232	193	166

DESCRIPTION:

**LITERS PER HECTARE
TABULATION FOR
TTI60-110_VP
TTI TWINJET
FLAT SPRAY TIP (METRIC)**



REVISION NO.

1

REFERENCE:

1/27/17

Data Sheet No.

DS114460M

SHEET:

2 OF 2

DWG SIZE:

A