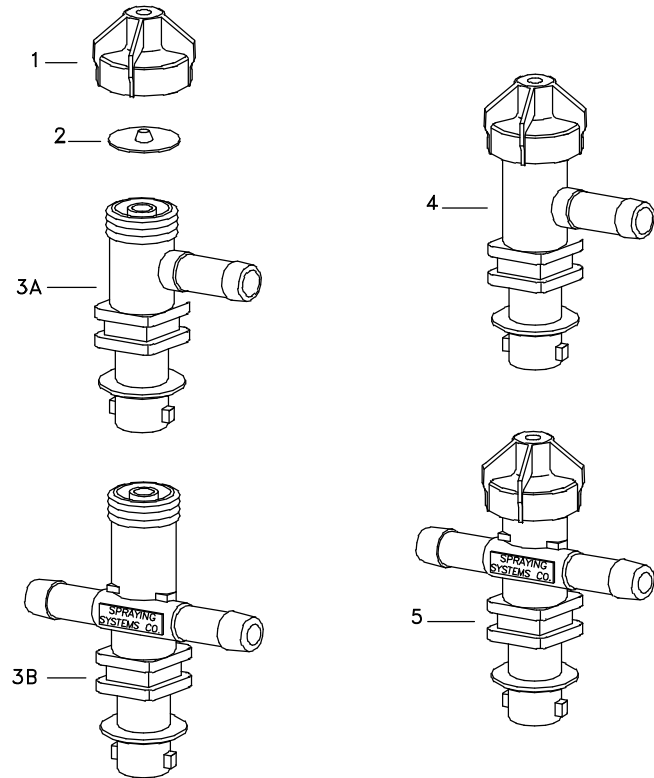


ITEM	PART NO. (POLYPROPYLENE)	DESCRIPTION
1	21950-10-PP	ChemSaver END CAP ASSEMBLY
2	CP21953-EPR	DIAPHRAGM, EPDM RUBBER (STANDARD)
	CP21953-VI	DIAPHRAGM, VITON (OPTIONAL)
3A	CP22236-PP	SINGLE HOSE SHANK BODY, 3/8"
	CP22237-PP	" " " " , 1/2"
	CP22238-PP	" " " " , 3/4"
3B	CP22239-PP	DOUBLE HOSE SHANK BODY, 3/8"
	CP22240-PP	" " " " , 1/2"
	CP22241-PP	" " " " , 3/4"
4	22251-311-375-PP	SINGLE HOSE SHANK BODY & CHECK VALVE ASSEMBLY
	22251-311-500-PP	" " " " " " " "
	22251-311-750-PP	" " " " " " " "
5	22252-312-375-PP	DOUBLE HOSE SHANK BODY & CHECK VALVE ASSEMBLY
	22252-312-500-PP	" " " " " " " "
	22252-312-750-PP	" " " " " " " "



DESCRIPTION:  
NO. QJ300 SERIES  
POLYPROPYLENE HOSE SHANK  
DIAPHRAGM CHECK VALVES



**Spraying Systems Co.**<sup>®</sup>

Spray Nozzles and Accessories  
P.O. Box 7900 - Wheaton, IL 60189-7900

Rev. No.

Ref.

Parts List No.

PL QJ300--PP

SHEET OF