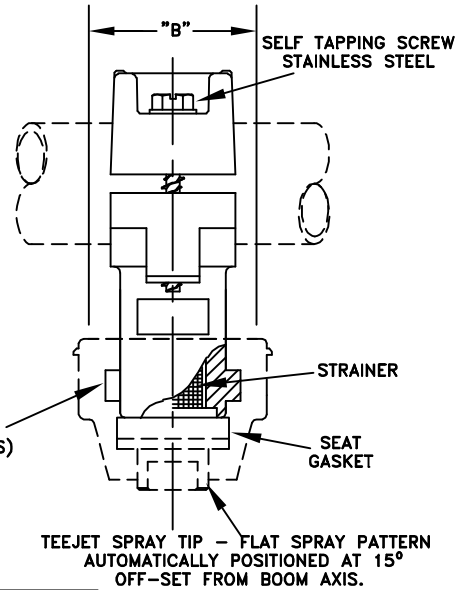
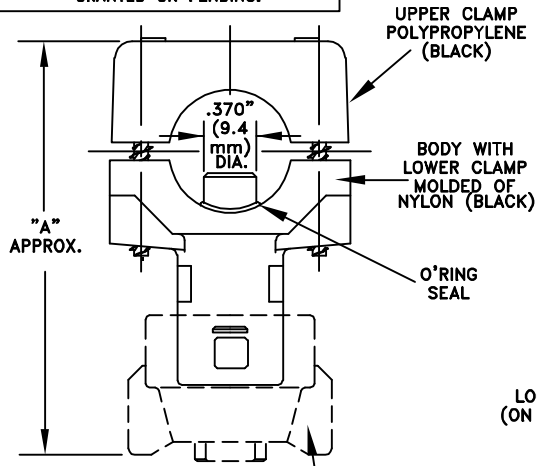


U.S. PATENT No.'S, 4527745, D280125,
OTHER U.S. AND FOREIGN PATENTS
GRANTED OR PENDING.



QUICK TEEJET® CAP WITH GROOVES THAT FIT LOCATING LUGS OF BODY - CELCON, YELLOW COLOR STANDARD. (OTHER COLORS OPTIONAL)

TO INSTALL ASSEMBLY DRILL 3/8" (9.5 mm) HOLE IN PIPE, DEBURR, THEN INSERT SPLIT-EYELET INLET AND CLAMP ASSEMBLY IN PLACE

OTHER FEATURES:

- FAST AND EASY WAY TO MOUNT SPRAY NOZZLES TO A BOOM.
 - QUICK CHANGE OF INTERCHANGEABLE TEEJET®, FLOODJET® AND CONEJET® TIPS... AS WELL AS DISC-CORE COMBINATIONS.
 - MADE OF CORROSION RESISTANT MATERIALS.
 - STANDARD O'RING IS BUNA-N. VITON® OPTIONAL.
 - THE TWO CLAMP SCREWS CAN ALSO BE USED TO ATTACH THE SPRAY BOOM TO A FLAT METAL BRACKET OR PLATE SUPPORT.
 - No. CP19438-EPR SEAT GASKET MADE OF EPDM. No. CP19438-VI VITON® OPTIONAL.
 - MAXIMUM OPERATING PRESSURE - 300 PSI (20 bar).
- QJ7421-- SPLIT-EYELET QUICK TEEJET NOZZLES ARE SUPPLIED COMPLETE WITH NOZZLE BODY, QUICK TEEJET CAP, AND SEAT GASKET... TOGETHER WITH SPRAY TIP (AND STRAINER IF RECOMMENDED FOR TIP SIZE).

HOW TO ORDER:

FOR SPLIT-EYELET QUICK TEEJET BODY ASB. ONLY (LESS CAP, SEAT GASKET, TIP & STRAINER):
SPECIFY BODY ASSEMBLY No.

EXAMPLE: QJ7421-1/2-NYB SPLIT-EYELET QUICK TEEJET BODY ASSEMBLY

FOR COMPLETE NOZZLE: SPECIFY THE BODY ASB. No., SPRAY TIP No., MATERIAL.

EXAMPLES: QJ7421-1/2-NYB+8002-SS SPLIT-EYELET QUICK TEEJET NOZZLE WITH STAINLESS STEEL TIP
QJ7421-1/2-NYB+TK-2 SPLIT-EYELET QUICK TEEJET NOZZLE WITH BRASS FLOODJET TIP

BODY ASSEMBLY No.	"A" APPROX.	"B"	TO CLAMP ON
QJ7421-1/2-NYB	2 1/4" (56 mm)	1 3/16" (30 mm)	1/2" PIPE, 13/16" & 7/8" O.D. TUBINGS (20-22 mm O.D.)
QJ7421-3/4-NYB	2 3/8" (60 mm)	1 3/16" (30 mm)	3/4" PIPE, 1" & 1 1/16" O.D. TUBINGS (25-27 mm O.D.)
QJ7421-1-NYB	2 1/2" (62 mm)	1 3/16" (30 mm)	1" PIPE, 1 1/8", 1 1/4", 1 3/8" O.D. TUBINGS (32-35 mm O.D.)

DESCRIPTION:

QJ7421-NYB SPLIT-EYELET
QUICK TEEJET® NOZZLE
BODY ASSEMBLY



Spraying Systems Co.®

Spray Nozzles and Accessories
P.O. Box 7900 - Wheaton, IL 60189-7900

Rev. No. 2

Data Sheet No.

19519

Ref.

SHEET OF