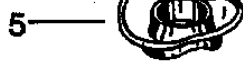
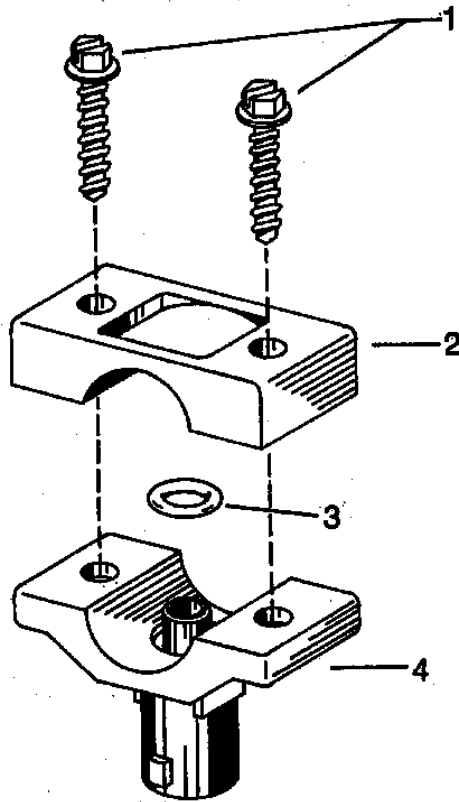


(SEE NOTE)



NOTE: Item No. 5 is a special seal designed for use on booms which already have 7/16" dia. drilled holes or - 1/4" NPT(F) tapped holes. When used, it replaces item No. 3



ITEM	PART NO.	DESCRIPTION
* 1	CP17674-1 1/4-SS	Screw, Stainless Steel (2 Req'd)
2	CP17553-PPB	Upper Clamp, Polypropylene (Black)
3	CP7717-2-110-BU	O'Ring, Buna-N (Standard)
	CP7717-2-110-VI	O'Ring, Viton (Optional)
4	CP18667-NYB	Body, Nylon (Black)
5	CP18294-EPR	Seal, EPDM Rubber (Optional)
	CP18294-VI	Seal, Viton (Optional)
No. QJ7421-1-NYB Split Eyelet Quick TeeJet Body Assembly		

\* CP17674-1 3/8-SS, Screw (Optional), for attaching to mounting plate

**DESCRIPTION:**

NO. QJ7421-1-NYB  
SPLIT EYELET QUICK TEEJET  
BODY ASSEMBLY



**Spraying Systems Co.**<sup>®</sup>

Spray Nozzles and Accessories  
P.O. Box 7900 - Wheaton, IL 60189-7900

Rev. No.

Ref.

Parts List No.

**PL QJ7421-1-NYB**

SHEET OF