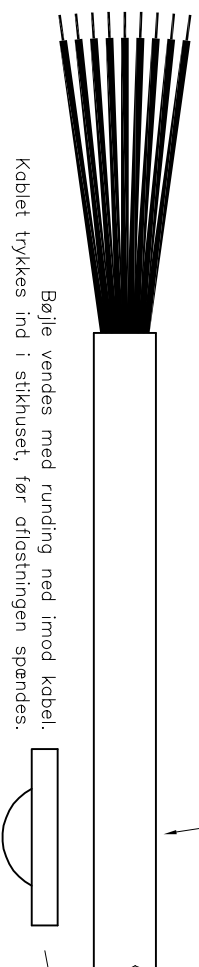
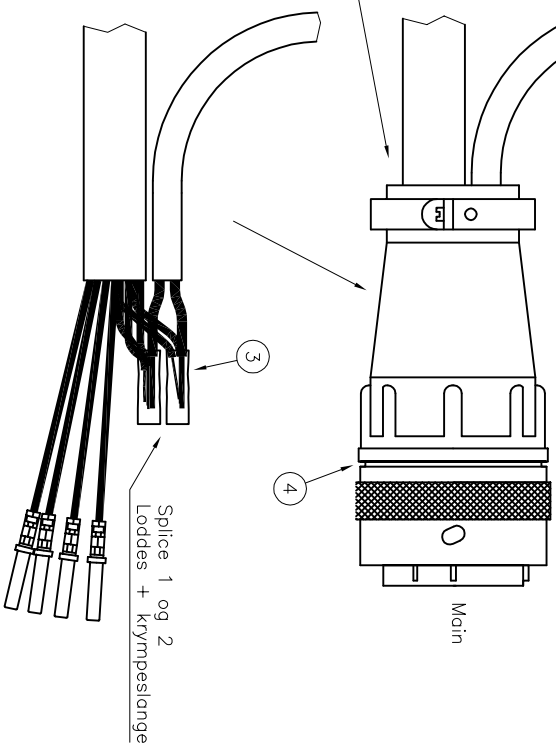
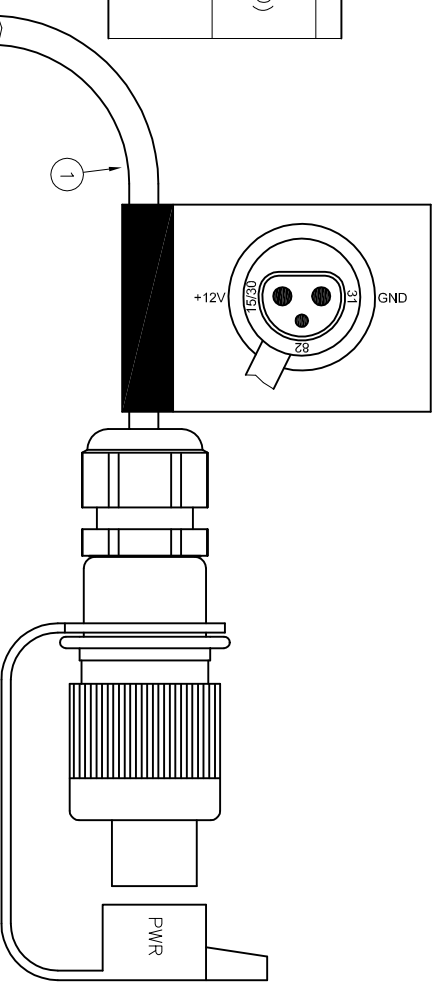


| Signal    | Color     | Con./Pin | Color | Con./Pin       |
|-----------|-----------|----------|-------|----------------|
| Master    | Hvid      | Main, A  |       |                |
| Section 1 | Brun      | Main, B  |       |                |
| Section 2 | Grøn      | Main, C  |       |                |
| Section 3 | Gul       | Main, D  |       |                |
| Section 4 | Grå       | Main, E  |       |                |
| Section 5 | Rosa      | Main, F  |       |                |
| Section 6 | Blå       | Main, G  |       |                |
| +12V      | Rød       |          |       |                |
| +12V      | Sort      |          |       |                |
| +12V      | Violet    | Splice 1 | Brun  | PWR, + (15/30) |
| +12V      | Grå/rosa  |          |       |                |
| GND       | Rød/blå   |          |       |                |
| GND       | Hvid/grøn | Splice 2 | Blå   | PWR, - (31)    |
| GND       | Brun/grøn |          |       |                |
| GND       | Hvid/gul  |          |       |                |
| Flow      | Gul/brun  | Main, R  |       |                |
| Pressure  | Hvid/grå  | Main, S  |       |                |
| Speed     | Grå/brun  | Main, T  |       |                |
| +12V out  | Hvid/rosa | Main, V  |       |                |
| Reg. +    | Rosa/brun | Main, a  |       |                |
| Reg. -    | Hvid/blå  | Main, b  |       |                |
| Master in | Brun/blå  | Main, c  |       |                |
| GND       | Hvid/rød  | Main, d  |       |                |
| +12V      | Brun/rød  | Main, e  |       |                |



Bøjle vendes med runding ned imod kabel.  
Kablet trykkes ind i stikhuset, før aflastningen spændes.



| Pos | m/pcs. | Make/Dwg. no.       | Description                                   | LH Part no.    |
|-----|--------|---------------------|---|----------------|
| 1   | 1      | 4809-0009           | Main cable 8.1m, 6 sections w/Cobo, Power del |                |
| 2   | 1      | 4806-0009           | Main cable 8.1m, 6 sections w/Cobo, I/O del   |                |
| 3   | 0,05   |                     | Krympeslange 6,0/2,0 sort, 1lm                | 801-871        |
| 4   | 1      | Sourrau: UTG62028SN | Sourrau 28p cable plug, sockets               | COG_UTG62028SN |
| 4   | 16     | Sourrau: SC20M1D70  | Sourrau socket contact 0.35-0.50mm2           | COG_SC20M1D70  |
| 4   | 1      | Sourrau: UTG20AC    | Sourrau cable clamp w/strain relief           | COA_UTG20AC    |

Rulles sammen til ca. ø23cm og sikres med kabelbinder.

|                   |                                    |       |
|-------------------|------------------------------------|-------|
| Idea by/date:     | RCH/091009                         | Scale |
| Drawn by/date:    | RCH/091009                         | mm    |
| Approved by/date: |                                    |       |
| Dwg. type:        | Cable                              |       |
| Project:          | Spray cable                        |       |
| Title:            | Main cable 8.1m, 6 sections w/Cobo |       |

|      |                            |            |
|------|----------------------------|------------|
| B    | Tilf. spec.                | RCH/250315 |
| A    | Spec. ang. aflastingsbøjle | RCH/191109 |
| Rev. | Description                | By/date    |

**Teefet**  
TECHNOLOGIES

Mølnavej 2  
DK-9440 Aabybro  
Tel.: +45 96962500  
Fax: +45 96962501