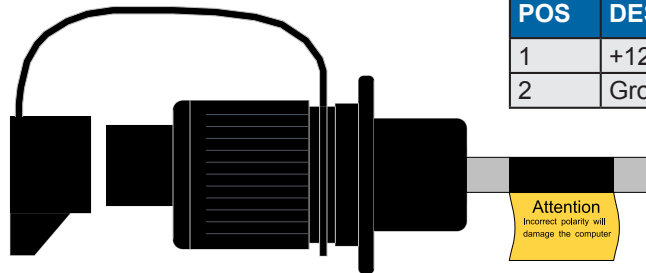
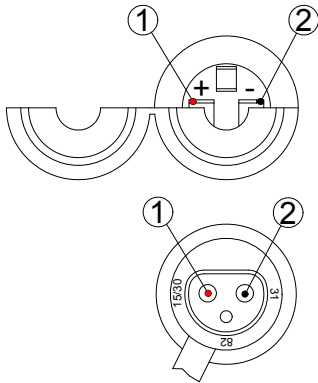


CONNECTING POS. M TO POWER



| POS | DESCRIPTION |
|-----|--------------|
| 1 | +12V (15/30) |
| 2 | Ground (31) |

Attention
Incorrect polarity will
damage the computer

! When connecting the system to 12V power it's very important that the polarity is correct, if not the system will be damaged.

BATTERY CABLE (OPTION):

The power supply must be strong enough to operate the Section and Master valves. The total current will depend on the used valve type.

If a power connector (Socket) isn't available in the tractor cabin, an optional battery cable can be used (PN 96ET14).

